

**ML-2430**

**MAXLOGIC CONVENTIONAL SOUNDER & BEACON**



ML-2430 Maxlogic conventional sounder and beacon is an advanced product with aesthetic design and superior operational performance that is used for visual and audible notifications of fire alarms from panels and provides common use of all systems, from intelligent addressable fire alarm systems to conventional fire alarm systems. It is powered from conventional sounder line.

**PRODUCT FEATURES**

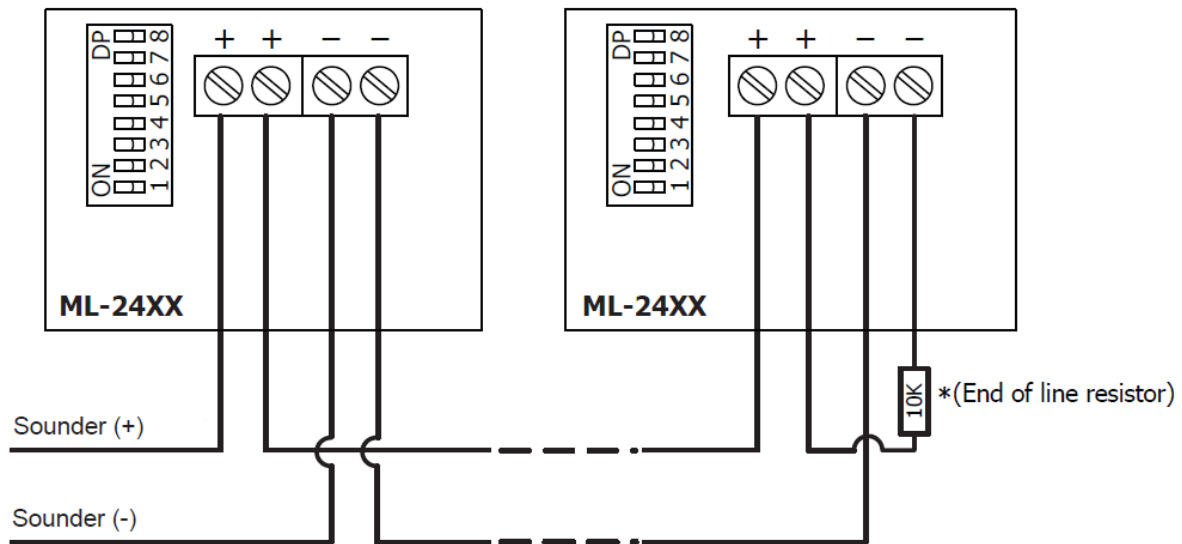
- Compatible with EN 54-23 and EN 54-3
- Special design for indoor use
- Adjustable flash frequency and coverage area
- Flasher light is scattered as cubic shape
- White, strong LED flasher
- Adjustable different 32 voice tone options
- Low or high volume power control
- Up to 100 dB(A) voice output
- Microprocessor controlled
- Produced by use of surface mount technology
- User friendly
- Stable sensitivity

**TECHNICAL SPECIFICATION**

Electrical Definitions	
Supply Voltage	21-28V DC
Alarm Current (max)	43 mA
Power (max)	1,20 W
Volume Definitions	
Sound Volume @1m(tone 20)	High Sound Volume: 100dB(A)
	Low Sound Volume: 90 dB(A)
Quantity of Tones	32
Flash Definitions	
Width and Length of Coverage	8m or 7m
Volume of Coverage	153,6m <sup>3</sup> or 117,6m <sup>3</sup>
Flash Frequency	1Hz- 0,5 Hz
LED Color	White
Mechanical Definitions	

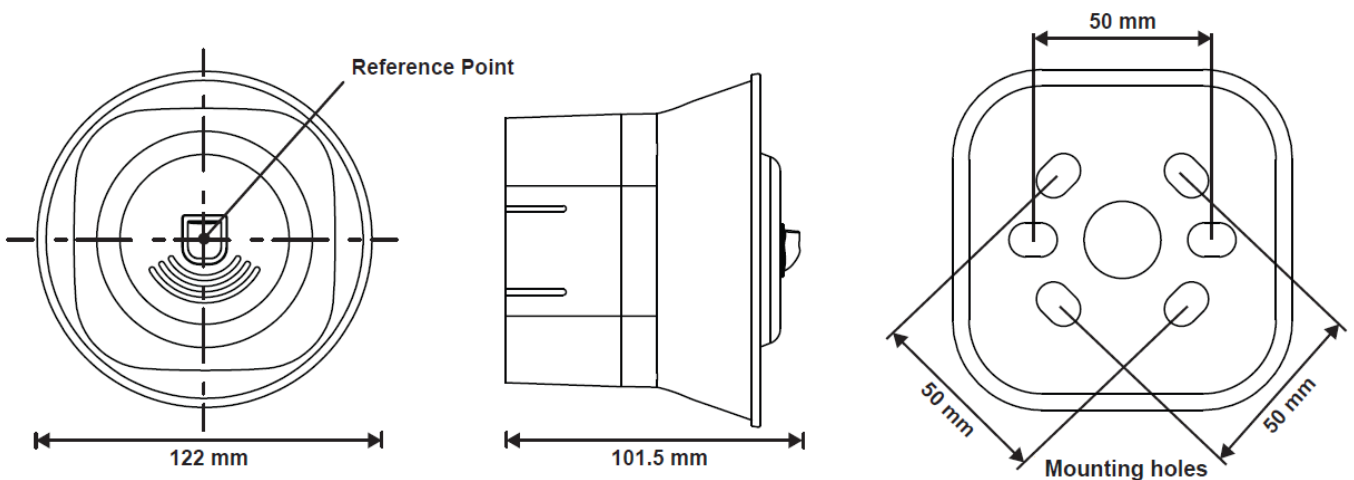
<b>Construction</b>	PC +ABS
<b>Dimensions (mm)</b>	122 x 122 x 101,5 mm
<b>Weight</b>	220 gr
<b>Mounting Type</b>	Wall Type (Type A)
<b>Mounting Height</b>	2,4m
<b>Body Color</b>	Red
<b>Cable</b>	1x2x0.8+0.8JH(st)H / 1x2x1.5+1.5JH(st)H
<b>Ambient Condition Definitions</b>	
<b>Protection Class</b>	IP21C
<b>Operating Temperature</b>	(-10°C) - (+55°C)
<b>Storage Temperature</b>	(-30°C) - (+60°C)
<b>Relative Humidity</b>	%95 (+40°C non-condensed)

## CONNECTION DIAGRAM



\* 10K end of line resistor is attached to the line end device.

## DIMENSIONS



\* Sounder & Beacon should be mounted that the direction line is aligned with the down.