

## ML-222X MAXLOGIC CONVENTIONAL FIRE ALARM CONTROL PANEL

ML-222X series conventional fire alarm control panels are providing economical solutions for small and medium-sized applications, with a modern exterior, easy to use and produced via surface mount technology. ML-222X Series have 2, 4 and 8 zones options. Maximum 32 conventional detectors and an unlimited number of buttons can be connected to each zone. Panels have 1 sounder output to give output in case of fire. Zone and sounder lines are supervised. Open circuit and short circuit situations are monitored. Also panels have 1 dry contact fire relay (NO) and 1 dry contact fault relay (NC) to give output in case of fire. According to the users requests, the desired fire zones and sounder outputs can be disabled.



## PRODUCT FEATURES

- Compatible with EN 54-2 and EN 54-4
- Compatible with all Maxlogic and Mavigard conventional detectors and manual call points.
- 2, 4 and 8 zone options
- 1 sounder output, fire and fault relay outputs
- Fire and fault events can be monitored via zone fire LEDs, zone fault LEDs and piezoelectric buzzer
- User friendly with few button on front of the panel
- All LEDs can be tested via one button
- Determined zones and/or sounder output can be disabled via Disable zone and disable sounder function.
- Easy entrance for cable from up and back of panel
- Surface mounting technology
- Aesthetic design
- Stable sensitivity

## TECHNICAL SPECIFICATION

|                                       |   |
|---------------------------------------|---|
| <b>Supply Voltage</b>                 | 230V AC 50 Hz (2A fuse protected)                           |
| <b>Battery</b>                        | 2 x (12V 2,1 Ah)  |
| <b>Zone Capacity</b>                  | 2, 4, 8   |
| <b>Zone Output Voltage</b>            | 24V DC  |
| <b>Zone end of line resistance</b>    | 6K8   |
| <b>Weight</b>                         | ~3450 gr  |
| <b>Construction</b>                   | Panel box; 1,2mm DKP sheet, Front of panel; 1,5mm DKP sheet |
| <b>Surface</b>                        | Epoxy paint   |
| <b>Mounting</b>                       | Surface mounting  |
| <b>External Supply Output *</b>       | 24V DC 250 mA   |
| <b>Sounder Output*</b>                | 24V DC 500 mA   |
| <b>Fault Relay Output</b>             | 30V DC 100 mA dry contact                                   |
| <b>Fire Relay Output</b>              | 30V DC 100 mA dry contact                                   |
| <b>Sounder end of line resistance</b> | 10K   |
| <b>Operating Temperature</b>          | (-10°C) - (+55°C)   |
| <b>Relative Humidity</b>              | % 0-95 (non-condensing)                                     |
| <b>Dimensions</b>                     | 320 x 240 x 90 mm   |
| <b>Protection Class</b>               | IP30  |
| <b>Standard Colour</b>                | Grey metal box, White front face                            |
| <b>Box Type</b>                       | C1 type   |

\* External supply and sounder output can provide a total of up to 500 mA current.

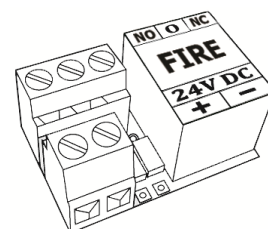
## MODELS

| Code    | Description  |
|---------|--|
| ML-2222 | Maxlogic Conventional Fire Alarm Control Panel, 2 Zone |
| ML-2224 | Maxlogic Conventional Fire Alarm Control Panel, 4 Zone |
| ML-2228 | Maxlogic Conventional Fire Alarm Control Panel, 8 Zone |

## OPTIONAL PRODUCTS

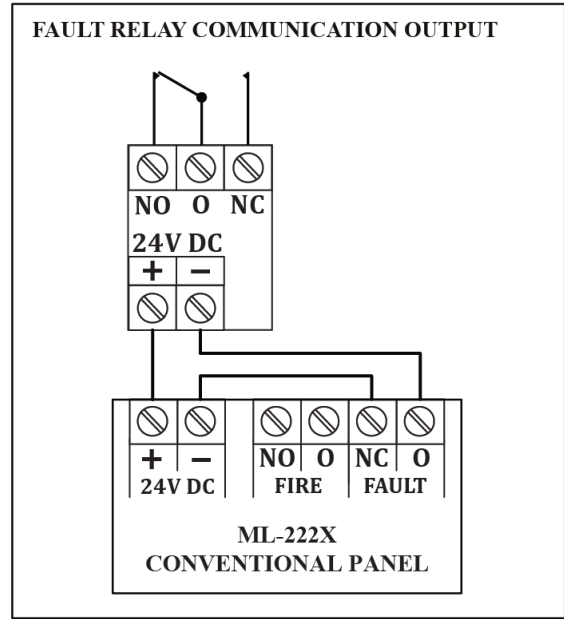
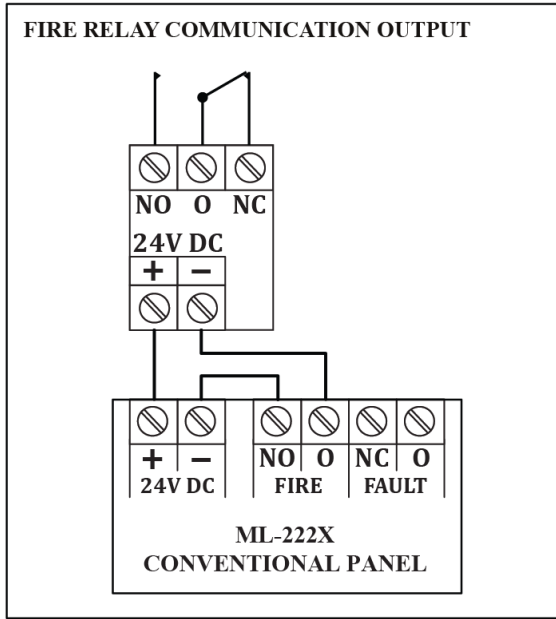
### RELAY CONTACT CONVERTER MODULE

Relay contact converter module provides to convert normally open fire relay or normally closed fault relay to both normally open and normally closed, 250V AC 10A dry contact relay output.



### TECHNICAL SPECIFICATION

|                                    |                   |
|------------------------------------|-------------------|
| <b>Supply Voltage</b>              | 24V DC            |
| <b>Output Contact</b>              | 250V AC, 10A      |
| <b>Weight</b>                      | 20 gr             |
| <b>Dimension (mm) (LxWxD)</b>      | 33,5 x 22 x 18 mm |
| <b>Operating and Storage Temp.</b> | -40°C / +85°      |



## CONNECTION DIAGRAM

