

ML-2460 & ML-2490

MAXLOGIC CONVENTIONAL WEATHERPROOF SOUNDER & BEACON



ML-2450(IP33) and ML-2480(IP65) Maxlogic conventional weatherproof sounder and beacons are advanced products with aesthetic design and superior operational performance that are used for visual and audible notifications of fire alarms from panels and provides common use of all systems, from intelligent addressable fire alarm systems to conventional fire alarm systems. They are suitable for outdoor use and powered from conventional sounder line.

PRODUCT FEATURES

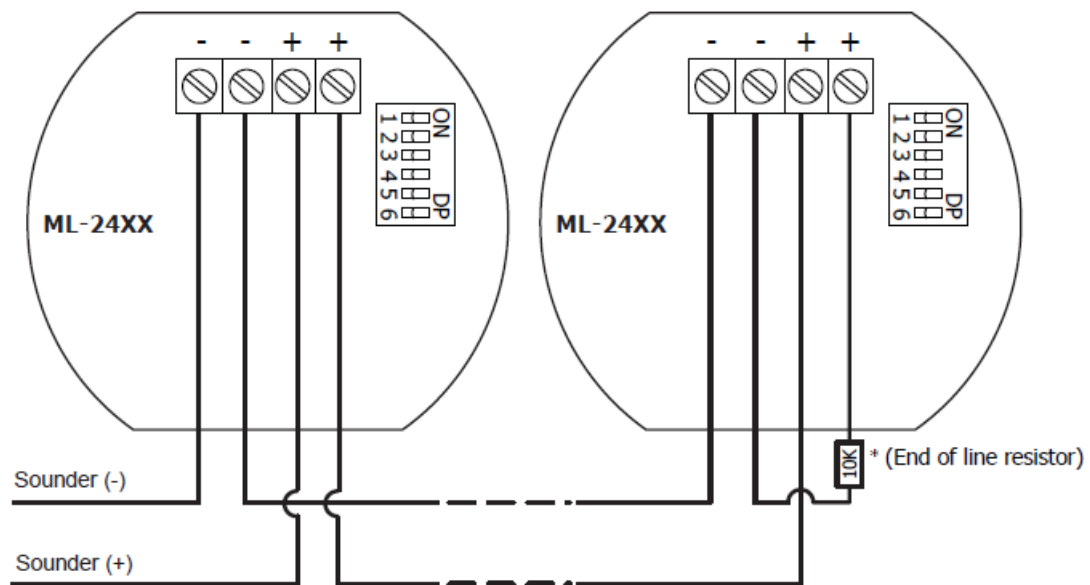
- Compatible with EN 54-23 and EN 54-3
- Special design for outdoor use
- Adjustable flash frequency and coverage area
- Flasher light is scattered as cubic shape
- White, strong LED flasher
- Adjustable different 32 voice tone options
- Low or high volume power control
- Up to 100 dB(A) voice output
- Microprocessor controlled
- Produced by use of surface mount technology
- User friendly
- Stable sensitivity
- IP33 or IP65 option

TECHNICAL SPECIFICATION

Electrical Definitions	
Supply Voltage	21-28V DC
Nominal Supply Voltage	24V DC
Alarm Current (max)	43 mA
Power (max)	1,20 W
Volume Definitions	
Sound Volume @1m(tone 20)	High Sound Volume: 100dB(A)
	Low Sound Volume: 90 dB(A)
Quantity of Tones	32
Flash Definitions	
Width and Length of Coverage	7,5m or 2,5m
Volume of Coverage	135m ³ or 15m ³

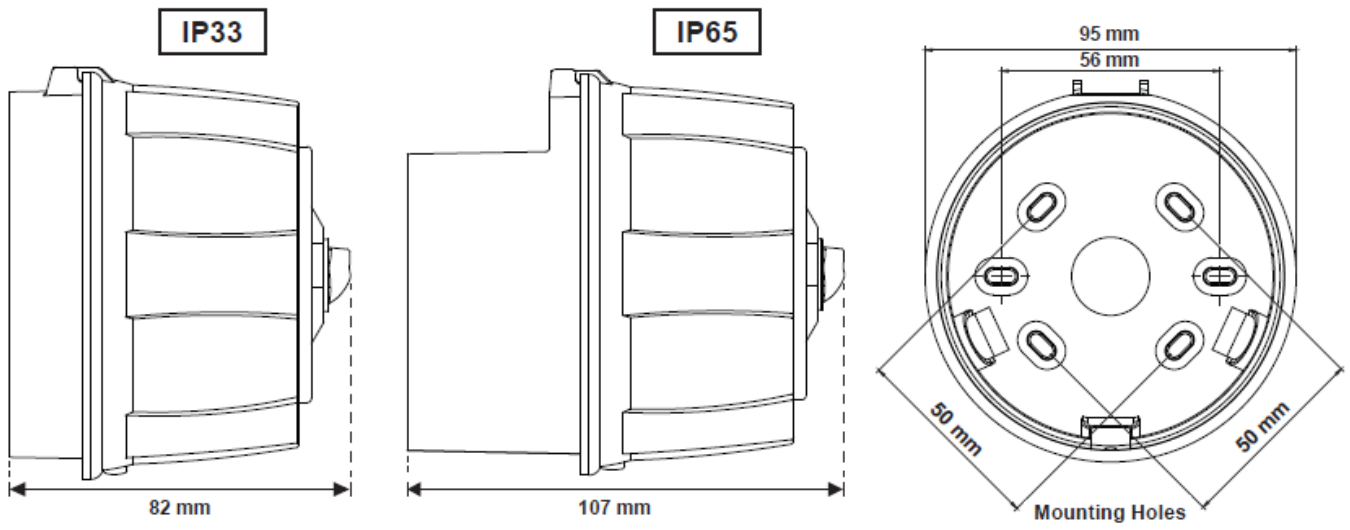
Flash Frequency	1Hz- 0,5 Hz
Beacon Class	W-2.4-7.5, W-2.4-2.5
LED Color	White
Mechanical Definitions	
Construction	PC +ABS
Dimensions (mm)	IP33: 95x95x82mm IP65: 95x95x107mm
Weight	IP33: 166 gr IP65: 185 gr
Mounting Type	Wall Type
Mounting Height	2,4m
Body Color	Red
Cable	2x1,5 N2XH FE 180
Ambient Condition Definitions	
Protection Class	ML-2460:IP33 ML-2490:IP65
Operating Temperature	(-25°C) - (+70°C)
Storage Temperature	(-30°C) - (+70°C)
Relative Humidity	%95 (+40°C non-condensed)

CONNECTION DIAGRAM



* 10K end of line resistor is attached to the line end device.

DIMENSIONS



MODELS

Product Code	Description
ML-2460	Maxlogic Conventional Sounder & Beacon, Weatherproof (IP33)
ML-2490	Maxlogic Conventional Sounder & Beacon , Weatherproof (IP65)