

ML-122X Maxlogic Intelligent Addressable Fire Alarm Control Panel



Maxlogic series intelligent addressable fire alarm systems are compatible with Maxlogic & Mavigard series intelligent addressable devices. Fire alarm systems are designed according to EN54-2 and EN54-4 standards. Providing superior operation performance with VIP communication protocol, the panels offer 254 address capacities with a modular structure that can expand up to 2 loops. Maxlogic intelligent addressable panels use microprocessor technology for high reliability. The 240x64 light adjustable graphical LCD display on the panel shows fire alarm and fault information in detail. There are 4 different languages (Turkish, English, Russian, French) for panel menu, screen printing and Loop Manager + Lite software.

Intelligent addressable detectors, intelligent addressable manual call points, loop-powered sounders, intelligent addressable loop-powered based sounders and beacons, zone control modules and intelligent addressable gas detectors; can be programmed to work in cause and effect scenario and fire automation can be done.

GENERAL PROPERTIES

- ✓ Complies with EN 54-2 and EN 54-4 standards
- ✓ User-friendly and aesthetic design
- ✓ Interrupt polling time and enable to send the fire alarm to be detected within 1.5 seconds
- ✓ Key required for access to panel menus
- ✓ Supervised peripheral elements (power supply, up to 2 loop expansion..etc)
- ✓ Input/output modules that can be directly connected to the panel
- ✓ Event selection and advanced parametric editing options for input/output devices
- ✓ Creation of 10 fire scenarios per panel
- ✓ Day/night operation mode, pre-alarm and dirtiness warning
- ✓ Priority display of fire alarm, separate inquiry buttons for fire and other types of events, categorical classification according to events
- ✓ 64 programmable zones and 1000 event recording memories

ML-122X SERIES PANELS

- ✓ 1 loop 127 address capacity and 2 loops 254 address capacity models:

Models	Description
ML-1221	Maxlogic Intelligent Addressable Fire Alarm Control Panel, 1 Loop 127 Addresses
ML-1222	Maxlogic Intelligent Addressable Fire Alarm Control Panel, 2 Loop 254 Addresses

BUTTONS AND INDICATORS

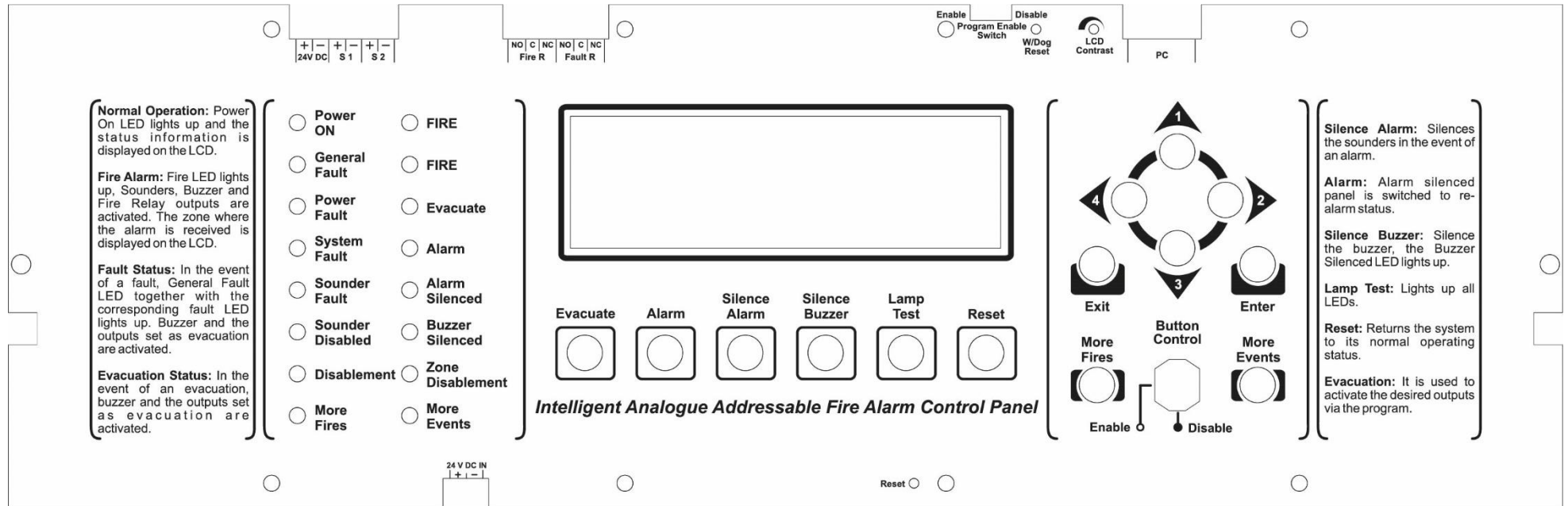


Figure 1: Front Side Parts

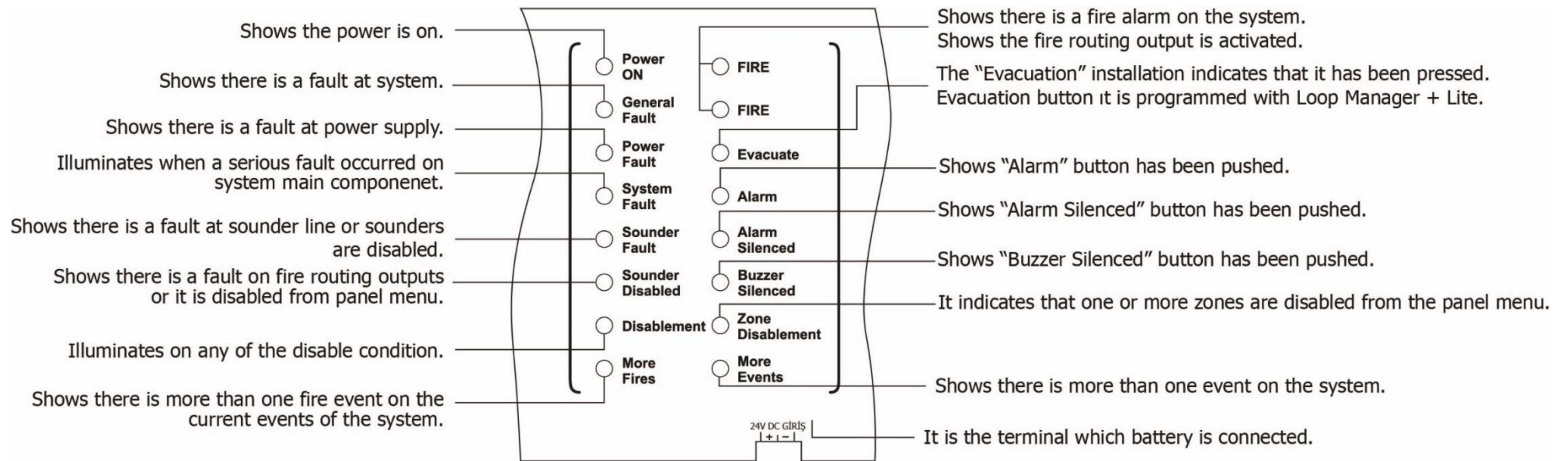


Figure 2: Panel Front Side Section 1 Descriptions

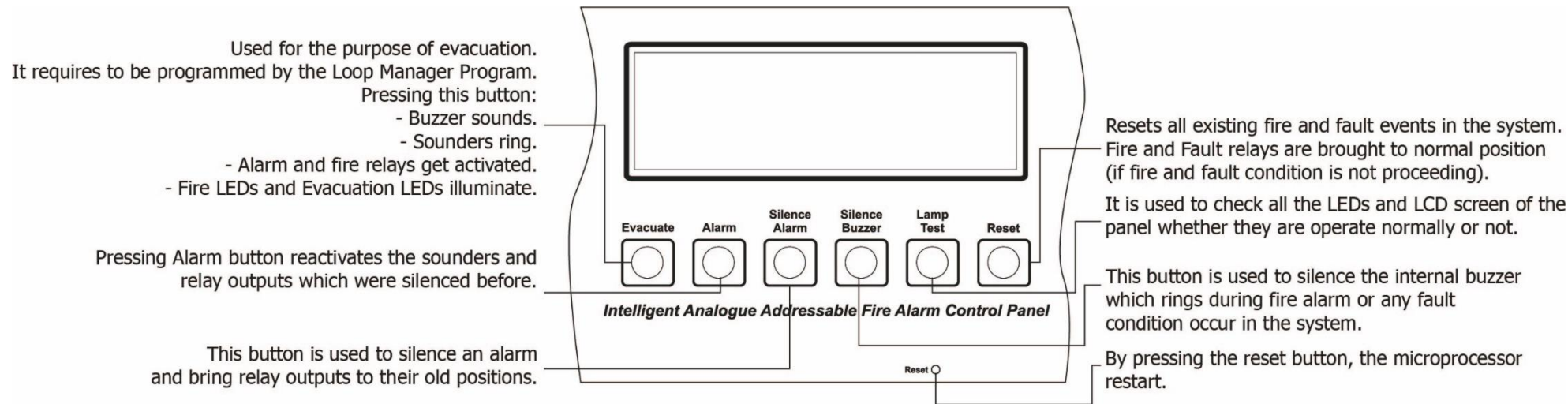


Figure 3: Panel Front Side Section 2 Descriptions

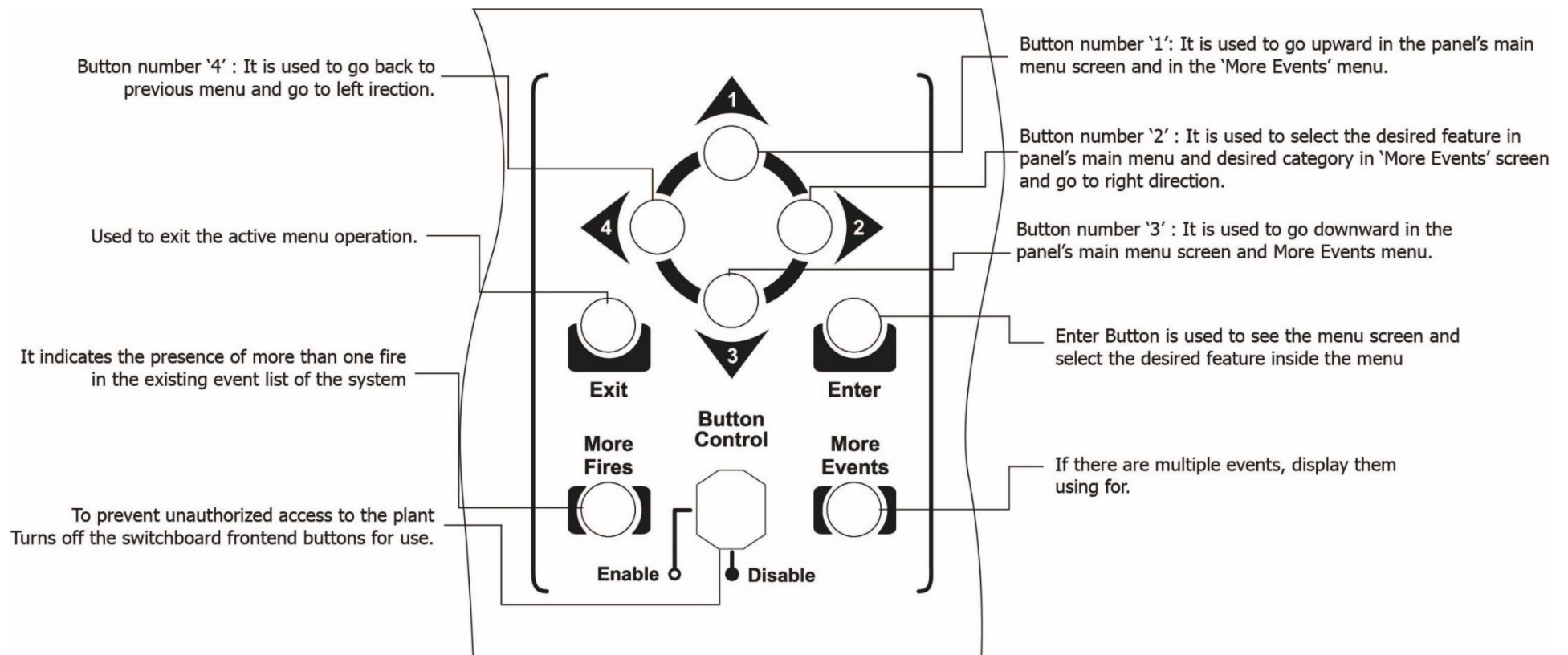


Figure 4: Panel Front Side Section 3 Descriptions

Status and Button Information

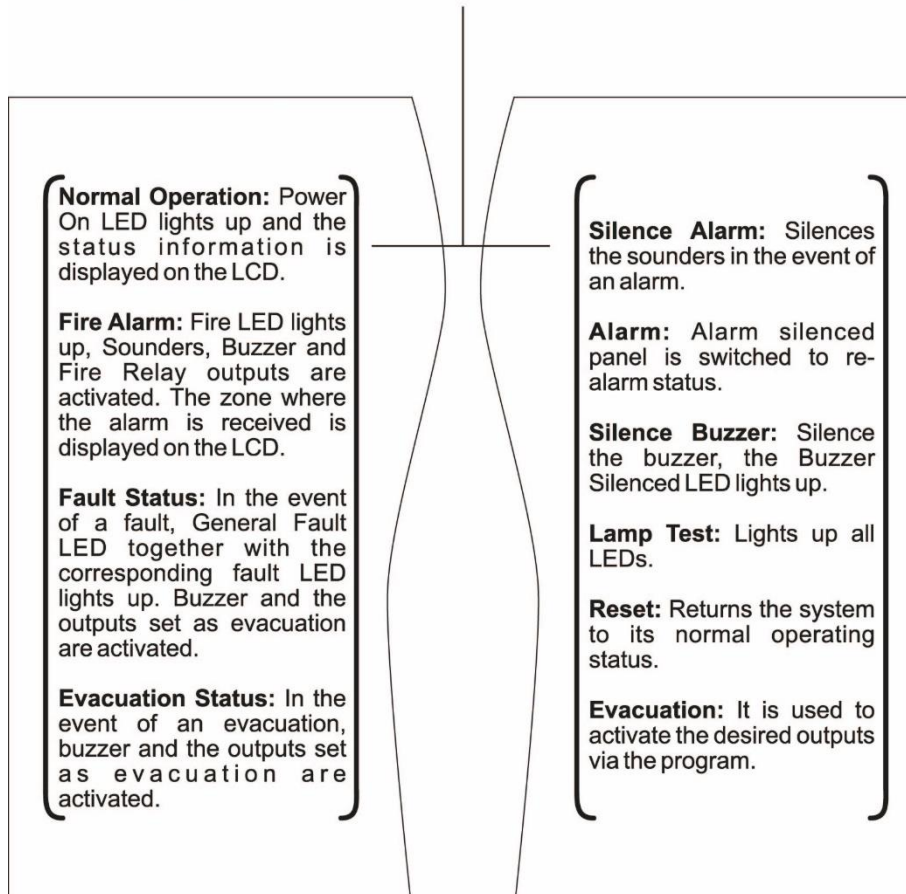


Figure 5: Panel Front Side **Section 4** Descriptions

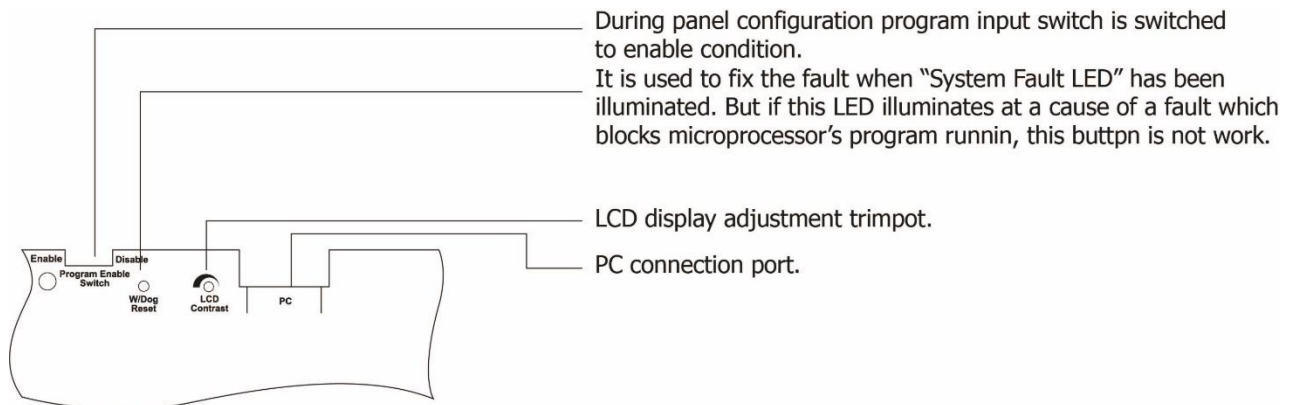
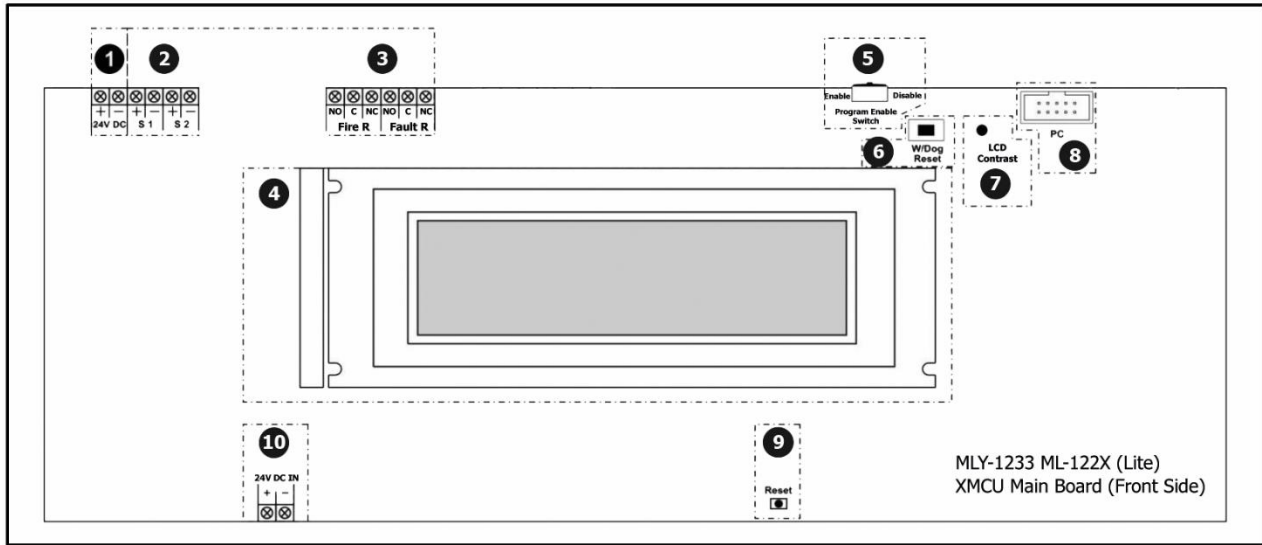


Figure 6: Panel Front Side **Section 5** Descriptions

INPUTS AND OUTPUTS



1. Auxiliary 24V DC supply output for external devices
2. Sounder outputs (2X 500mA)
3. Dry contact relay outputs (Fire, Fault Relay)
4. 240x64 Graphic LCD screen
5. The program input switch
6. Watchdog reset button
7. LCD lighting trimpod for setting
8. Printer connection socket
9. Microprocessor reset button
10. Power supply 24V DC input terminal block

MECHANICAL AND EXTERNAL ENVIRONMENTAL DESCRIPTON

ML-122X Mechanical descriptions	
Height	370 mm
Width	500 mm
Depth	105 mm
Weight(Batt exc.)	~ 7,7 – 7,85 kg (*)
Body Material	1mm DKP sac
Surface	Epoxy Paint
Mounting Type	Surface, flush mount
Standard Color	Grey tone (RAL 7015), white panel frontcase

* It can be change depends on loop capacity.

ML-122X Environmental Ratings Descriptions	
Operating Temperature Range	(-5°C) - (+50°C)
Operating Humidity Range	%0-95 (non-condensing)

Power Supply Output Descriptions	
Power Output	90 Watt
Main Supply Input	230V AC (+10% / -15%) 50 Hz
Load output	24V DC
230V AC Fuse	2A 250V AC

Battery Descriptions	
Battery	2 pcs. 12V DC lead-acid
Battery Capacity	Max. 7Ah
Battery Charge Voltage	27,6V DC
Battery Charge Current	Max. 1100mA

Loop Output Descriptions	
Max. Current	For each loop 180mA
Protection	Protection of short-circuit 500mA
Communication	VIP
Transmission Type	semi duplex, 2 wire series synchronous digital communication, time-based transmission, current
Data exchange rate	About 1500 bit / sec
The basic source voltage range	18V DC – 24V DC
Bumping the voltage range	27V DC – 33V DC
Operating current	Digital 0 – loop current + 0 mA Digital 1 – loop current + 37mA
Fault control	Post-parity equivalence
Polling time	9 sec. for each loop
Interrupt response time	Max. 3 sec
Max. address quantity of a loop	127
Max. Zone Quantity	As a software, up to 64 zones can be defined.

Output Description	
Sounder Outputs	2 x (24V DC 500 mA), programmable, supervise, automatic fuse protection, 10 K Ω end of line resistor.
The Cable Specifications For Sounder Outputs	There is no coercion; it should be capable of carrying 500mA. After connection, the minimum voltage level at the end of the line must be above the operating limit of the device used.
Fire Relay	30V DC 1A dry contact, programmable
Fault Relay	30V DC 1A dry contact, programmable
Auxiliary 24V Output	24V DC 500 mA automatic fuse protection
The Cable Specifications For Auxiliary 24V Output	There is no coercion; it should be capable of carrying 500mA. After connection, the minimum voltage level at the end of the line must be above the operating limit of the device used.

Cable descriptions	
Sounder Cable	2x1,5 LIHH FE 180
Loop Cable	1x2x0.8+0.8JH(st)H / 1x2x1.5+1.5JH (st) H