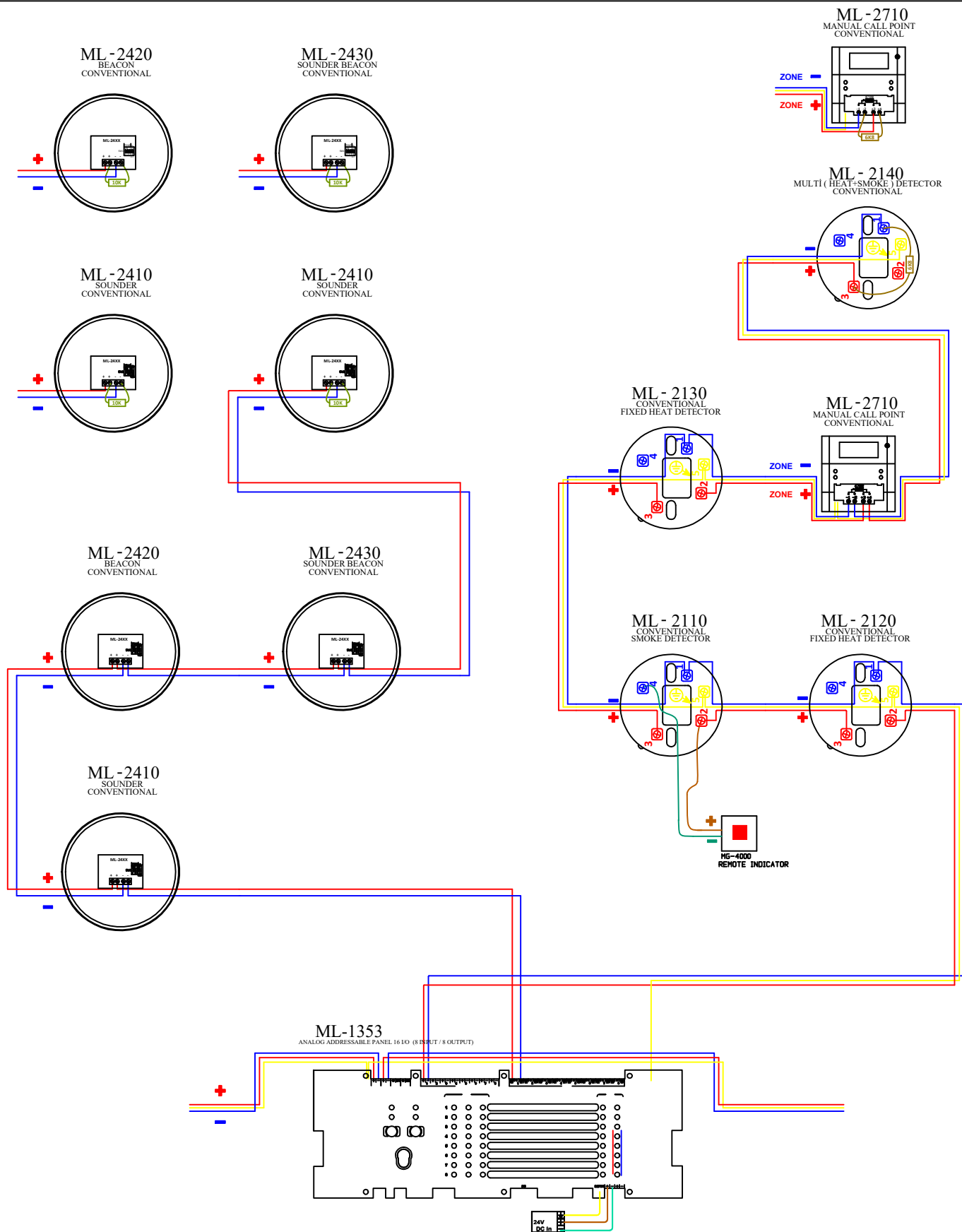
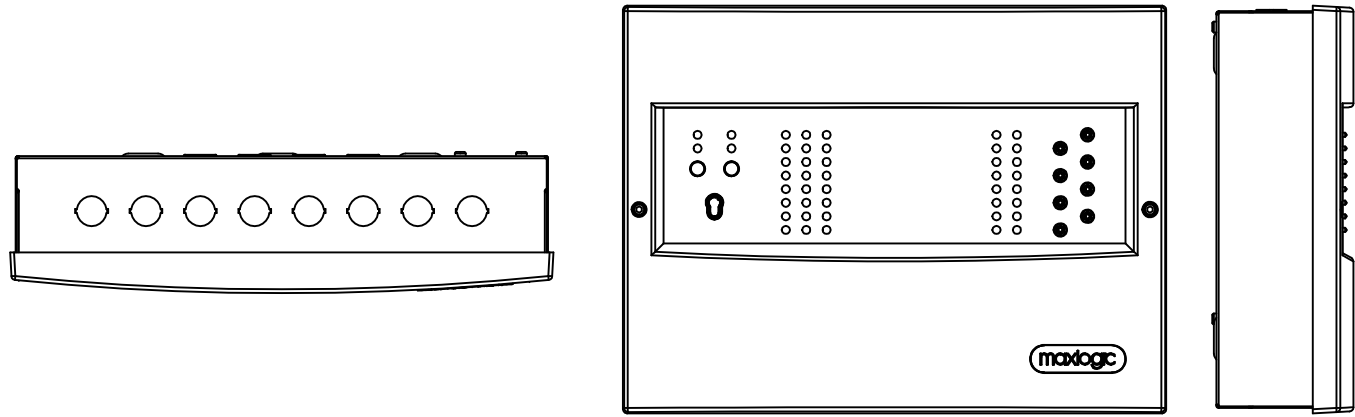


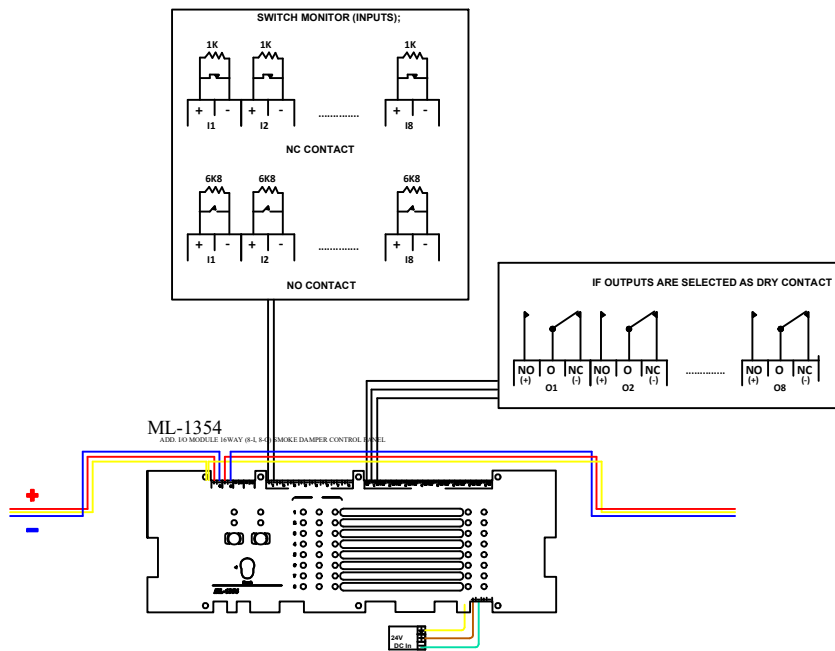
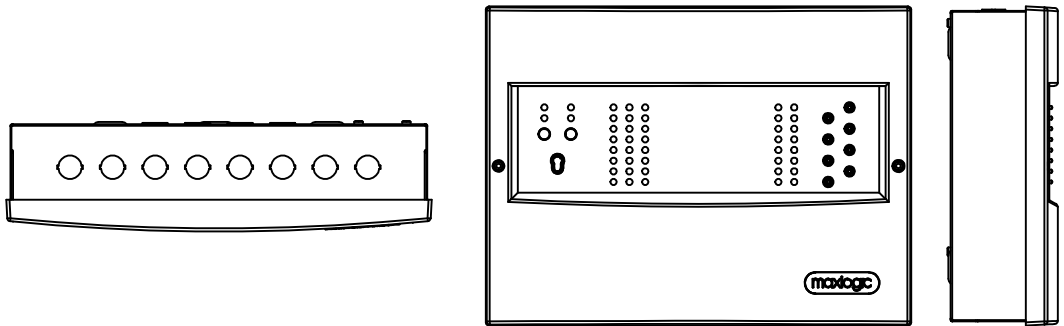
ML-1353

ANALOG ADDRESSABLE
16 I/O PANEL (8 INPUT / 8
OUTPUT)



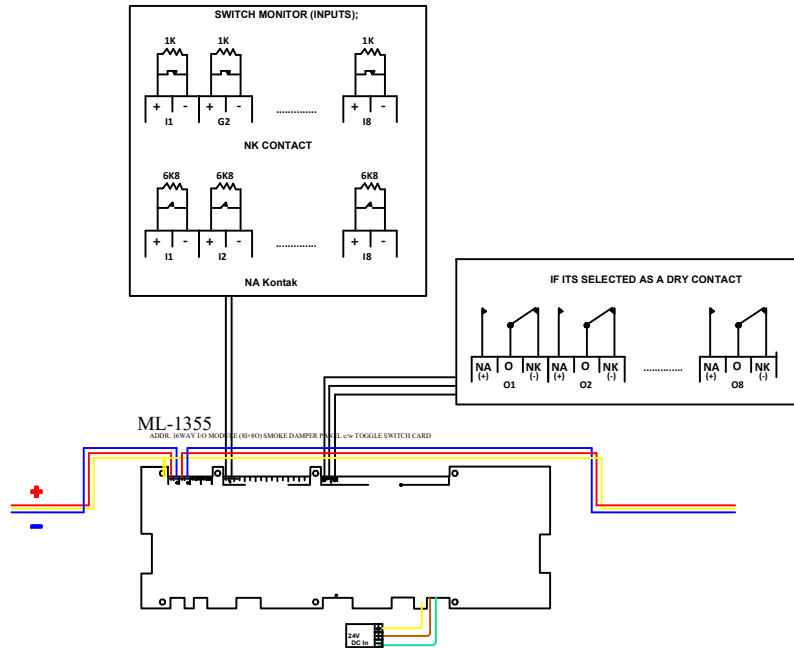
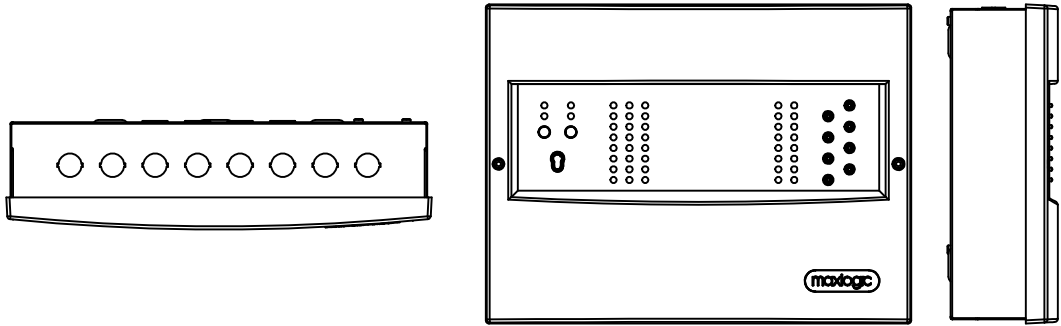
ML-1354

**ADD. I/O MODULE 16WAY
(8-I, 8-O) SMOKE DAMPER
CONTROL PANEL**



ML-1355

**ADDRESSABLE I/O MODULE
(8I+8O) SMOKE DAMPER
CONTROL PANEL , c/w
TOGGLE SWITCH CARD**

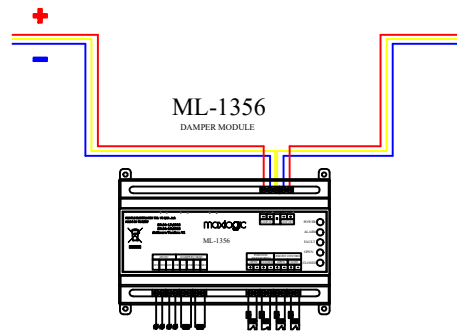
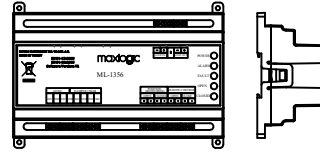


ML-1356

INTELLIGENT
ADDRESSABLE SYSTEM
SMOKE DAMPER MODULE,
1 OUTPU,24V DC

Contact capacity is 24V DC 1A

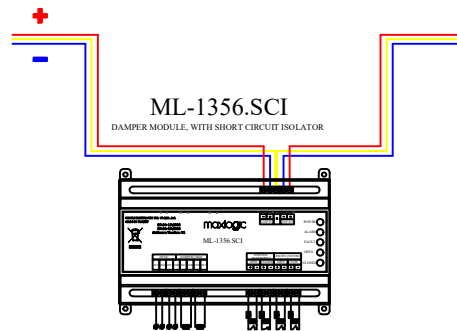
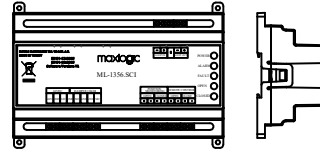
The contact to be monitored should be
de-energized dry contact



ML-1356.SCI INTELLIGENT
ADDRESSABLE SMOKE
DAMPER MODULE,1
OUTPUT, 24V DC, WITH
SHORT CIRCUIT ISOLATOR

Contact capacity is 24V DC 1A

Contact to be monitorde should be
de-energized dry contact.

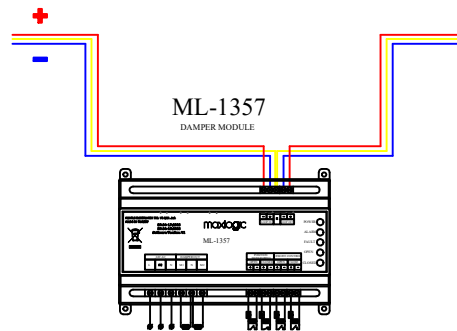
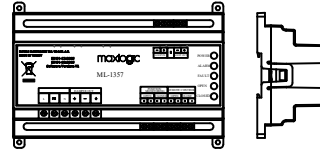


ML-1357

INTELLIGENT
ADDRESSABLE SMOKE
DAMPER MODULE, 1
OUTPUT, 24V AC

Contact capacity is 24V AC 1A

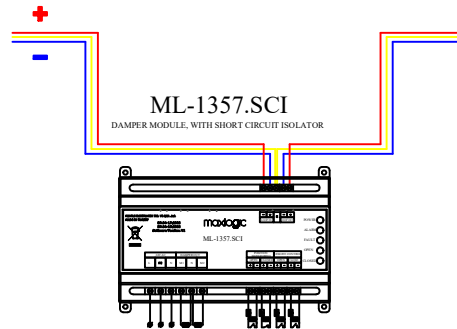
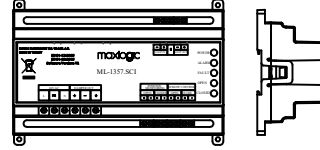
Contact to be monitored should be
de-energized dry contact



ML-1357.SCI INTELLIGENT
ADDRESSABLE SMOKE
DAMPER MODULE,1
OUTPUT, 24V AC, WITH
SHORT CIRCUIT
ISOLATOR

Contact capacity is 24V AC 1A

Contact to be monitored should be
de-energized dry contact.

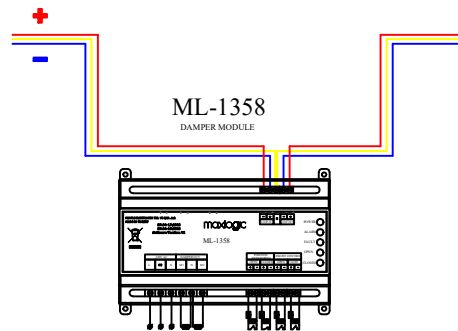
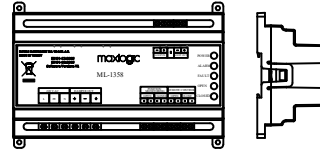


ML-1358

INTELLIGENT
ADDRESSABLE SMOKE
DAMPER MODULE, 1
OUTPUT, 220V AC

Contact capacity is 220V AC 1A

Contact to be monitored should be
de-energized dry contact.



ML-1358.SCI INTELLIGENT
ADDRESSABLE SMOKE
DAMPER MODULE,1
OUTPUT, 220V AC, WITH
SHORT CIRCUIT ISOLATOR

Contact capacity is 220V AC 1A

Contact to be monitored should be
de-energized dry contact

